

i_SCALE

www.holbright.com

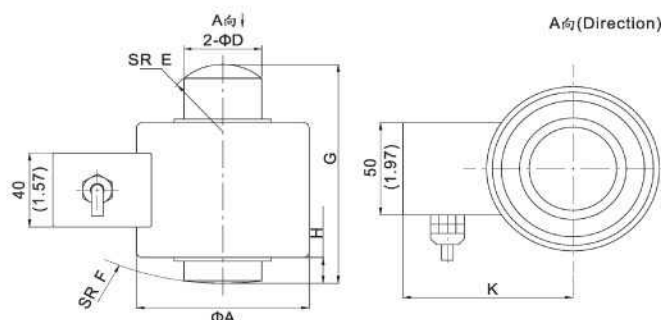
HB-DCP SERIES



Specifications

Accuracy Class According To OIML R60	OIML R60	C3	Capacities	t	0.5,1,2,3,5,10, 20,25,30,40,50
n max	n max	3000	Rated Output	Counts	800,000/2mV/V 1,200,000/3mV/V
Vmin	Vmin	Emax/7500	Measuring Rate	Hz	256
Combined Error	%F.S	$\leq \pm 0.020$	Output Rate	Hz	64
Creep Error	%F.S/30min	$\leq \pm 0.016$	Asynchronies Interface		CAN Bus
Temperature Effect On Sensitivity	%F.S/10 ϕ	$\leq \pm 0.011$	Communication Baud Rate	Bps	50K, 125K, 250K
Temperature Effect On Zero Output	%F.S/10 ϕ	$\leq \pm 0.019$	Maximum Communication Distance	m	50K/750m, 125K/250m, 250K/100m
Compensation Temperature Range	$^{\circ}\text{C}$	-10~+40	Protection Class		IP68
Operating Temperature Range	$^{\circ}\text{C}$	-30~+80	Safe Load Limit	%F.S	150
Ultimate Load	%F.S	300	Length Of Cable	m	15/10~50t 5/0.5~5t

Outline Dimension in mm(inch)



Dim.(mm) Capacity(t)	ΦA	ΦD	E	F	G	H	K
0.5-5t	88.9(3.50)	40(1.57)	25(0.98)	150(5.90)	118.5(4.67)	19(0.75)	87.5(3.44)
10-30t	88.9(3.50)	40(1.57)	37.5(1.48)	150(5.90)	118.5(4.67)	14(0.55)	87.5(3.44)
40-50t	88.9(3.50)	50(1.97)	200(7.87)	200(7.87)	118.5(4.67)	14(0.55)	87.5(3.44)
100 t	120(4.72)	76(3.00)	50(1.97)	300(11.81)	150(5.90)	24(0.94)	102(4.02)

Connections

- (Red) V+ ·
- (Black) V- ·
- (White) CANL ·
- (Blue) CANL ·
- (Yellow) CANH ·
- (Brown) CANH ·
- (Transparent) Shield