



Mounting Assembly Kits

HB-MT 101/101SS

HB-MT 101-0.5t~50t (Alloyed Steel)
 HB-MT 101SS-0.5t~50t (Stainless Steel)



Use with Mounting Assembly Kits -HB-10 and HB-DCP Series.

Capacity	Model No.
0.5t~50t	HB-MT 101-0.5t~50t (Alloyed Steel)
0.5t~50t	HB-MT 101SS-0.5t~50t (Stainless Steel)

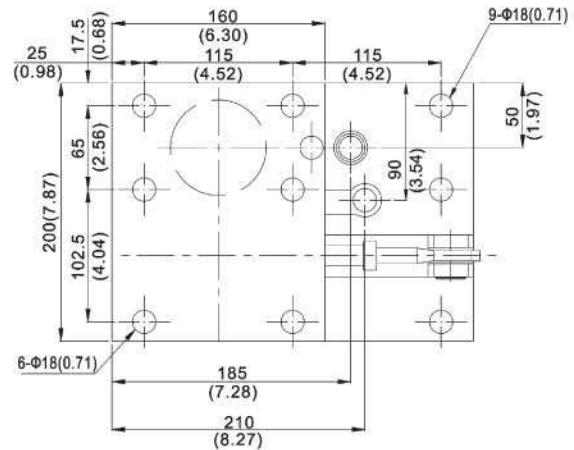
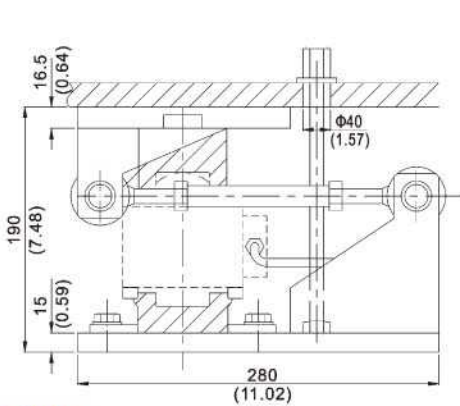
Feature

- With horizontal limit control ability
- With Auto-Return ability
- Tight construction and easy installation
- Avoid turnover condition

Specifications

Max. Overload	150%FS
With Anti-Reversal Ability	50KN
With Anti-Side load Ability	50KN
Max. Horizontal movement	5.4mm

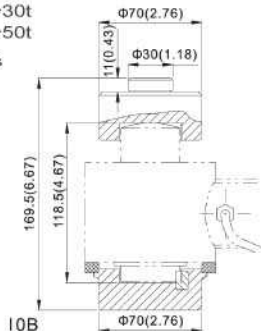
Physical Dimension mm(inch)



HB-10B

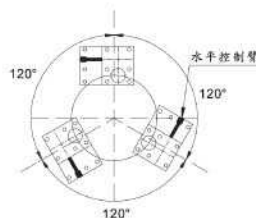
Capacity	Model
0.5t~5t	HB-10B-0.5t~5t
10t~30t	HB-10B-10t~30t
40t~50t	HB-10B-40t~50t

Stainless with HB-DCP series
 Has Anti-Reversal settings



Installation Ref.

Installation 1



Installation 2

